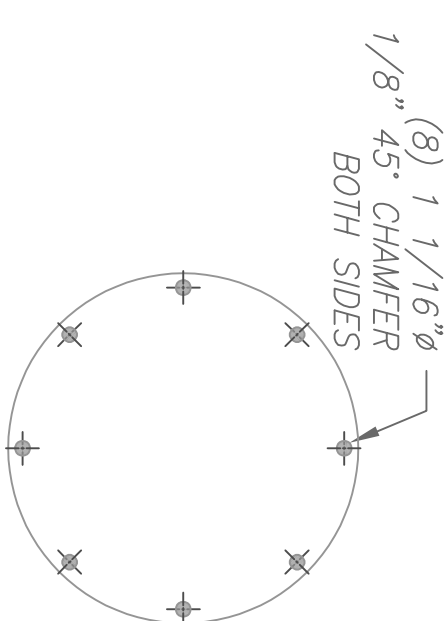
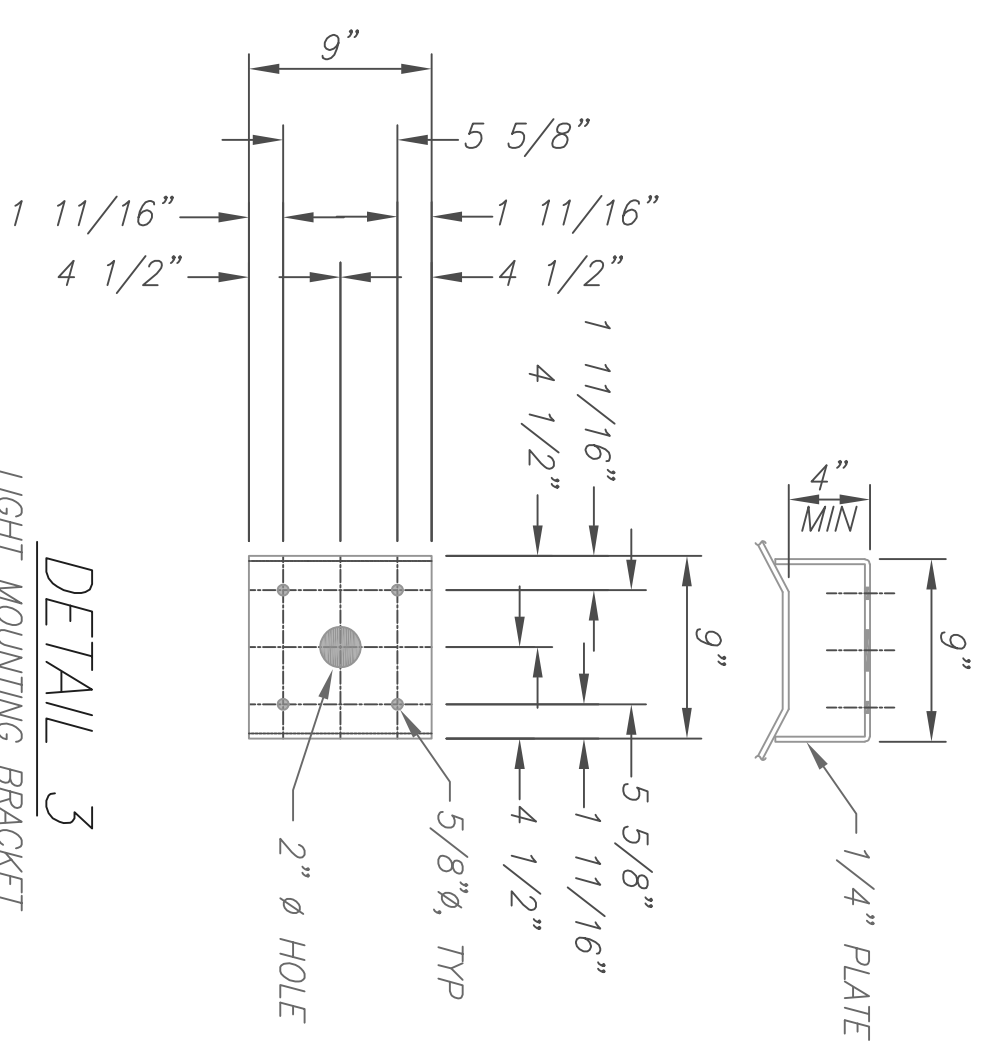


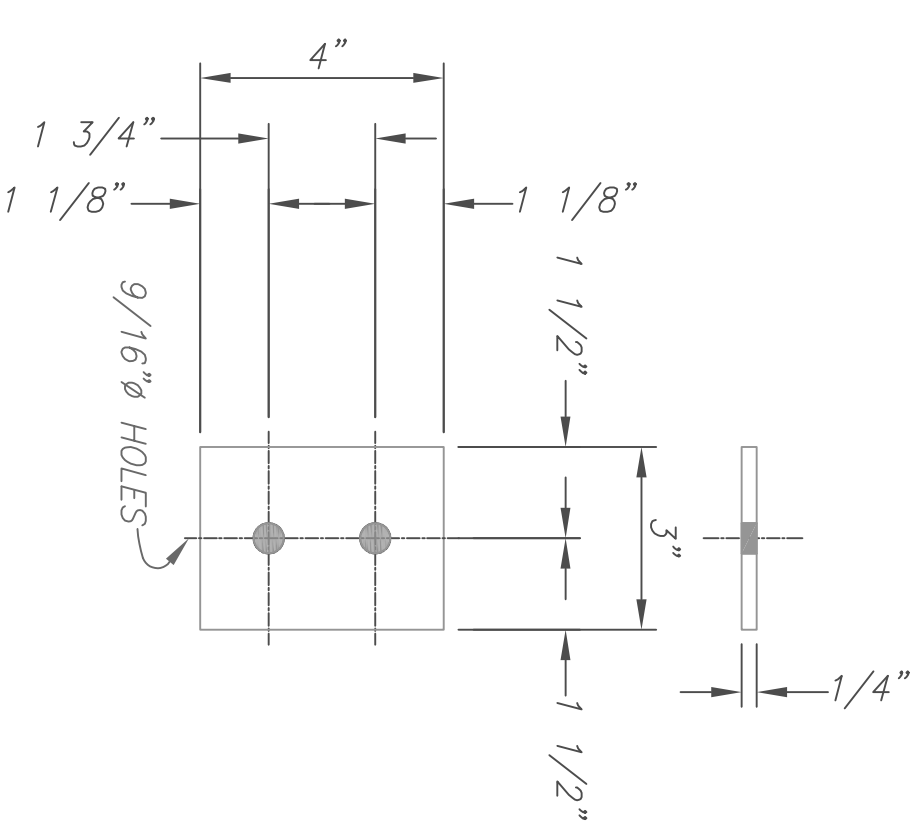
DETAIL 1
CONDUCTOR ATTACHMENT WANG
NOTE: PLAN VIEW SHOWN FOR CLARITY



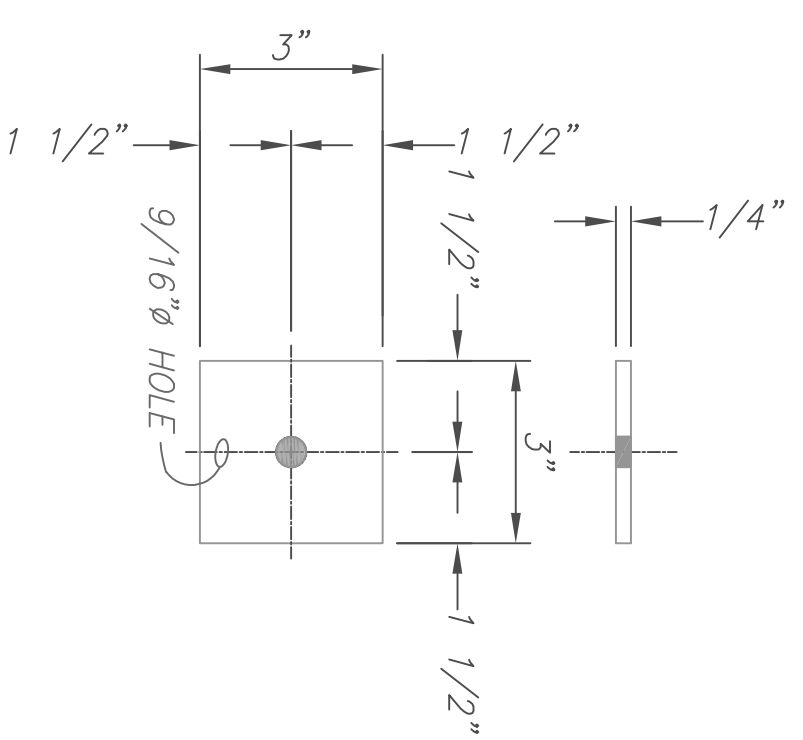
DETAIL 2
TOP PLATE DETAIL



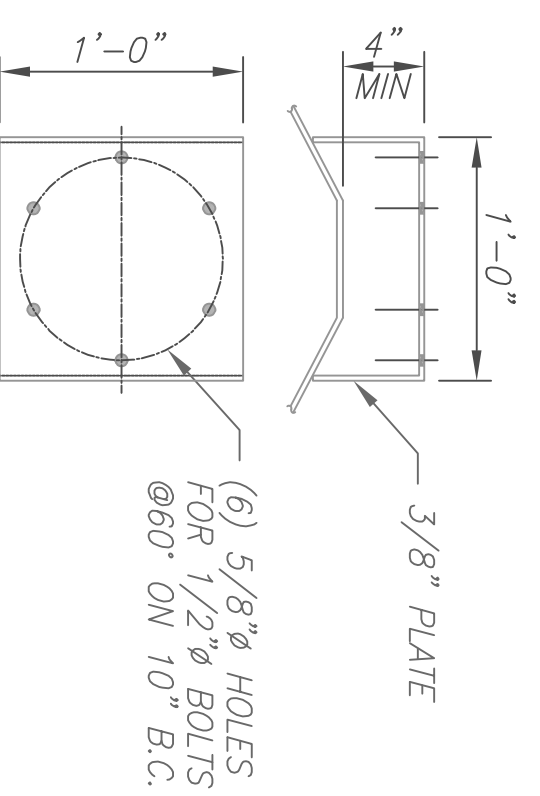
DETAIL 3
LIGHT MOUNTING BRACKET



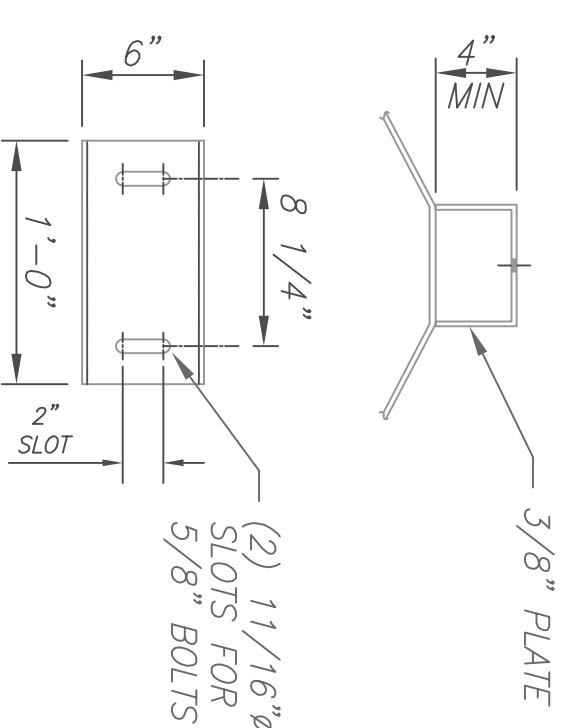
DETAIL 4
GROUND ATTACHMENT



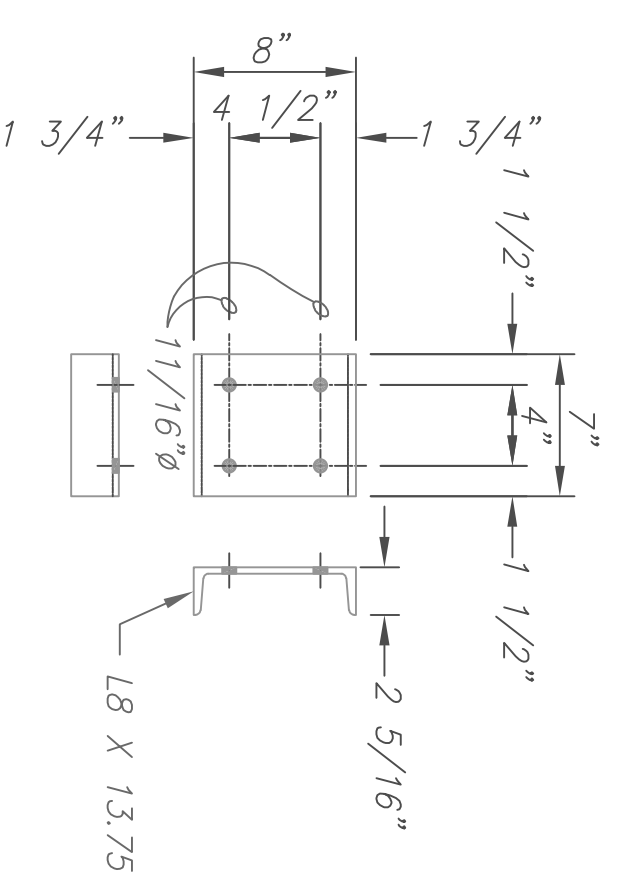
DETAIL 5
GROUND ATTACHMENT



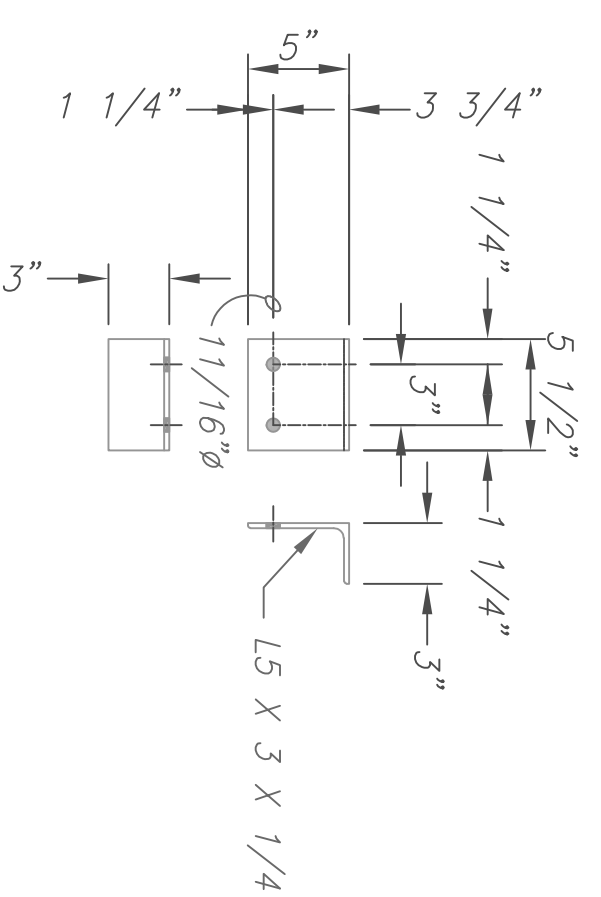
DETAIL 6
SURGE ARRESTER
MOUNTING BRACKET



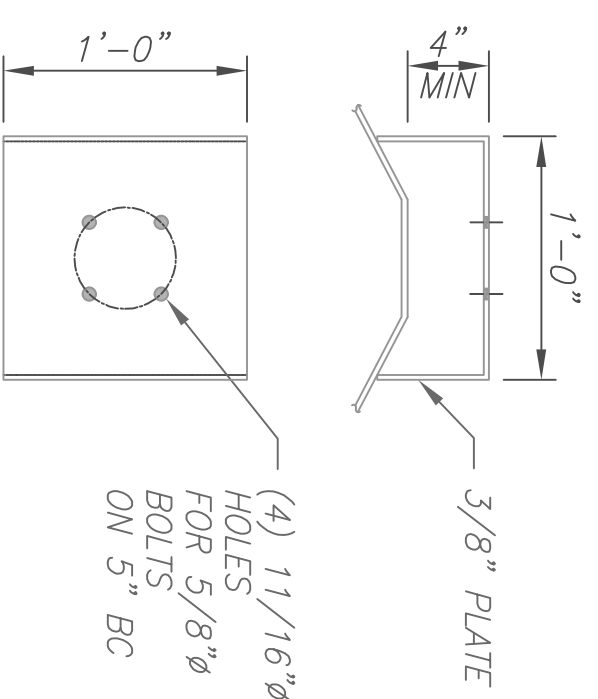
DETAIL 7
DISCONNECT SWITCH
MOUNTING BRACKET
(LOWER)



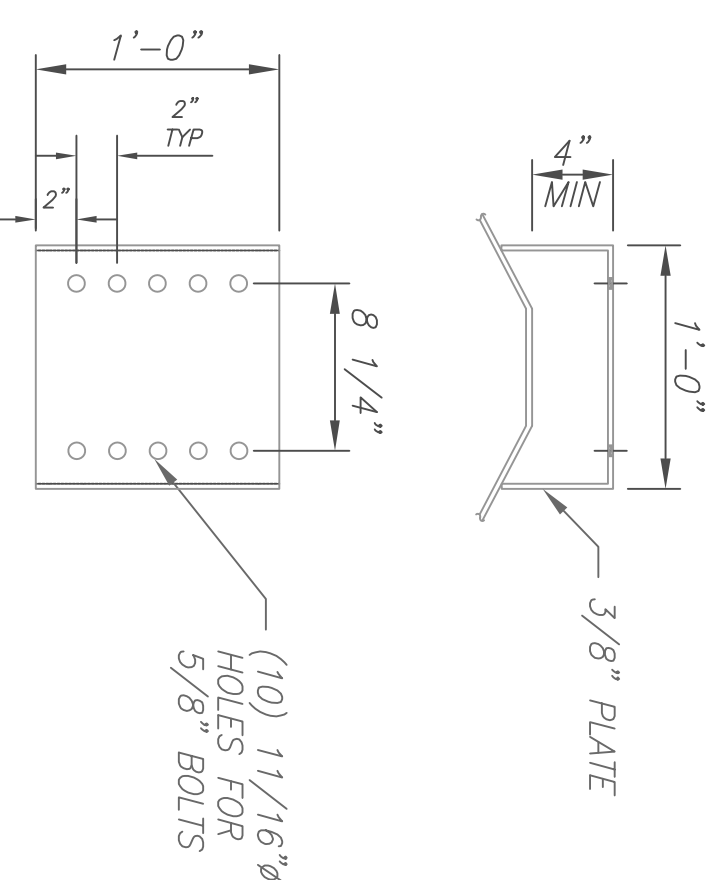
DETAIL 8
SWITCH OPERATOR BRACKET



DETAIL 9
SWITCH OPERATOR BRACKET



DETAIL 10
INSULATOR
MOUNTING BRACKET



DETAIL 11
DISCONNECT SWITCH
MOUNTING BRACKET
(UPPER)

TONA-S4-03

Project:		OKANDGAN COUNTY PUD No. 1			
Drawing:		115/13.8KV SUBSTATION DEADEND PERFORMANCE - DETAILS			
FILE NAME:	DE PERFORMANCE-DETAILS.DWG TONASKET SUBSTATION				
REV.	DATE	DESIGNED	ENGINEER	DRAWN	SHEET
A	10/16/19	KMS	AMN	KKM	3 OF 3
0	10/31/19	DESIGNED	ENGINEER	DRAWN	SHEET
1	2/14/22	KMS	AMN	KKM	3 OF 3
		SCALE	W.D. No.	DATE	DWG #
		AS SHOWN	XXXXXXX	10/16/19	TONA-S4-03